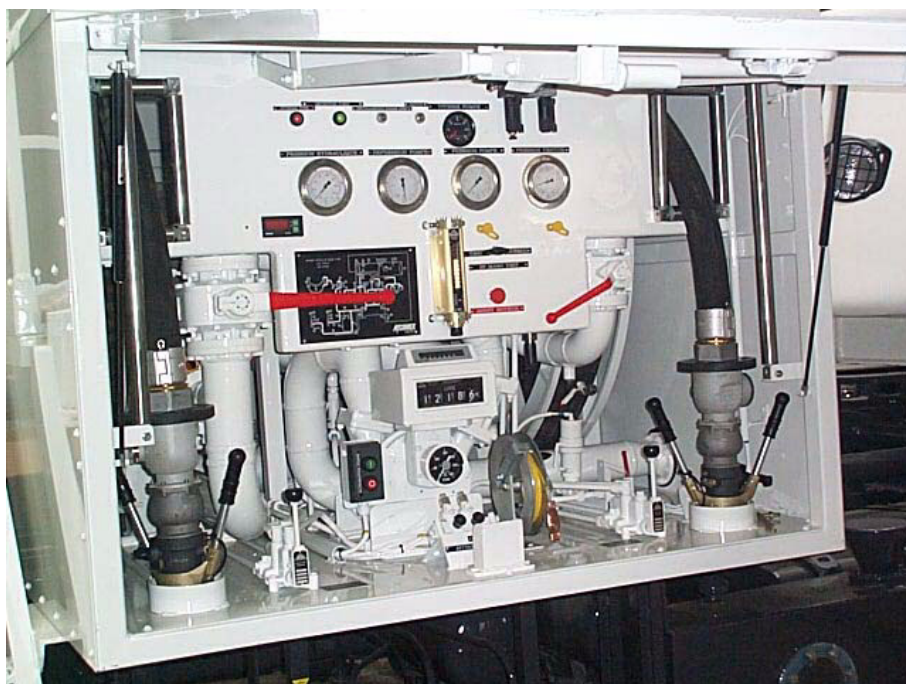


Aviation Refuelling

ATCOMEX ISO 9001
000 I



SEMI-TRAILER LOW PROFILE 60.000L



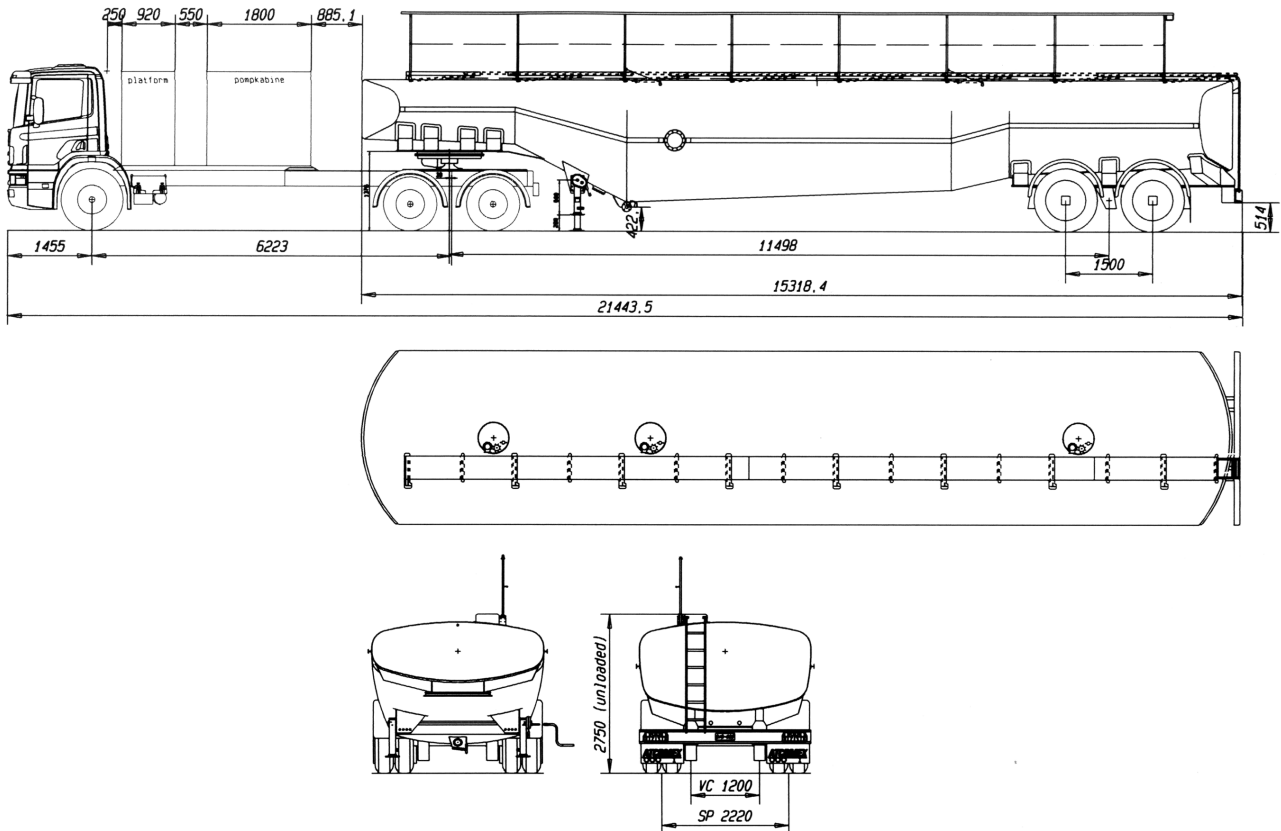
Atcomex Company nv

Nijverheidslaan 6
B-8560 Gullegem
Belgium
Tel. 32 56 43 99 20
Fax. 32 56 40 00 56
Email: atc.gullegem@atcomex.be
BTW/TVA BE 0425 920 763
RPR/RPM KORTRIJK

Atrefco nv Atcomex Hamme

Industriepark Zwaarveld 11
B-9220 Hamme
Belgium
Tel. 32 52 49 92 90
Fax. 32 52 47 84 32
Email: info.hamme@atcomex.be
BTW/TVA BE 0433 655 920
RPR/RPM DENDERMONDE

www.atcomex.be



TECHNICAL SPECIFICATIONS

- Tractor unit Scania P94 6x2 (other tractor makes available).
- Trailer tank Aluminium 60000 litres capacity low profile with two rigid axles. Height 2800mm.
- Hydraulic operated lifting platform with two deck hoses and underwing nozzle. Flow rate 2500 to 3000 lpm.
- Two hose reel with underwing nozzle. Flow rate 1500 lpm per hose reel.
- Primary and secondary overflow protection.
- Single HEPCV and inline pressure control valve.
- Defuelling possibility.
- Loading rate 2700 lpm.
- External suction.
- Hydraulic driven fuel pump.

SAFETY FEATURES

- Deadman control with timer function. With cable or wireless.
- Interlock system.
- Pneumatic operated handrails on top of tank or bi-line system.
- Wired to ADR standard.
- Build to the latest CEN specifications and conform to the latest JIG into plane specifications.
- Conform to the stability regulation ECER111.