

Aviation Refuelling

ATCOMEX
000 I ISO 9001



TRAILER 20.000L



Atcomex Company nv

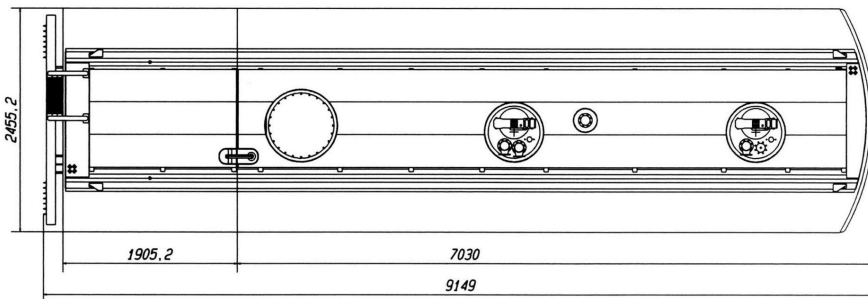
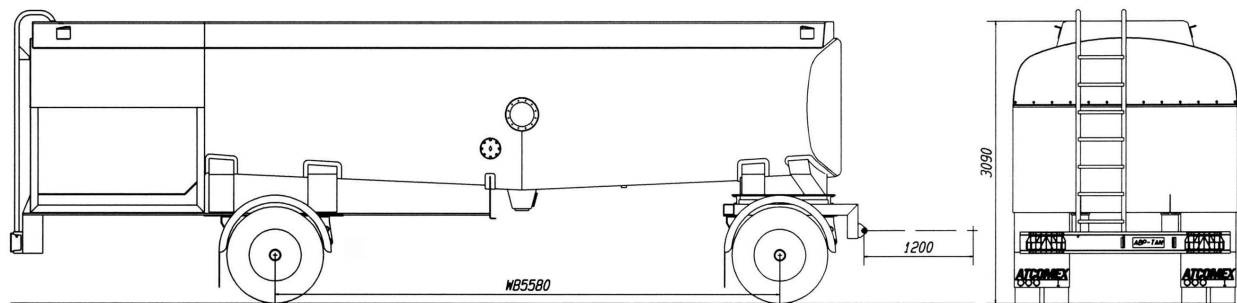
Nijverheidslaan 6
B-8560 Gullegem
Belgium
Tel. 32 56 43 99 20
Fax. 32 56 40 00 56
Email: atc.gullegem@atcomex.be
BTW/TVA BE 0425 920 763
RPR/RPM KORTRIJK

Atrefco nv Atcomex Hamme

Industriepark Zwaarveld 11
B-9220 Hamme
Belgium
Tel. 32 52 49 92 90
Fax. 32 52 47 84 32
Email: info.hamme@atcomex.be
BTW/TVA BE 0433 655 920
RPR/RPM DENDERMONDE

www.atcomex.be

08 - 2007



TECHNICAL SPECIFICATIONS

- Tractor Massey Ferguson MF 5355 2WD with hydraulic drive.
- Trailer Aluminium tank 20000L capacity.
- Refuelling rate underwing: 1000 lpm.
- Refuelling rate overwing: 120 lpm.
- Primary and secondary overfill protection.
- Single HEPCV.
- External suction.
- Hydraulic driven fuel pump.

SAFETY FEATURES

- Deadman control with timer function. With cable or wireless.
- Interlock system.
- Pneumatic operated handrails on top of tank or bi-line system.
- Wired to ADR standard.
- Build to the latest CEN specifications and conform to the latest JIG into plane specifications.

ALSO AVAILABLE IN 5000, 10000 AND 30000 LITRE TANK CAPACITY.